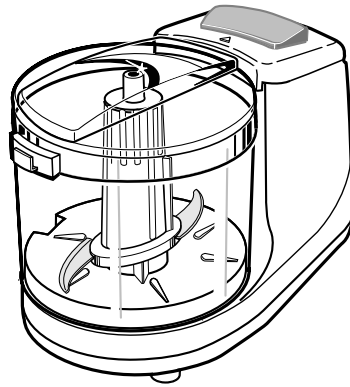


Proctor-Silex®



Use & Care for Food Choppers 2
USA: 1-800-851-8900

840086800

IMPORTANT SAFEGUARDS

When using electrical appliances, basic safety precautions should always be followed including the following:

1. Read all instructions.
2. To reduce the risk of electrical shock do not put cord, plug, or base in water or other liquid.
3. Close supervision is necessary when any appliance is used by or near children.
4. Unplug from outlet when not in use, before putting on or taking off parts, and before cleaning.
5. Avoid contacting moving parts.
6. Do not operate any appliance with a damaged cord or plug, or after the appliance malfunctions, or has been dropped or damaged in any manner. Call our toll-free customer service number for information on examination, electrical repair, mechanical repair, or adjustment.
7. The use of attachments not recommended or sold by Hamilton Beach/Proctor-Silex, Inc. may cause fire, electric shock or injury.
8. Do not use outdoors.
9. Do not let cord hang over edge of table or counter, or touch hot surface including stove.
10. Keep hands and utensils away from moving blades while processing food to reduce the risk of severe injury to persons or damage to the food processor. A scraper may be used but must be used only when the food processor is not running.
11. Blades are sharp. Handle carefully.
12. This appliance is intended for processing small quantities of food for immediate consumption. This appliance is not intended to prepare large quantities of food at one time.
13. To reduce the risk of injury, never place cutting blade on base without first putting bowl properly in place.

14. Be certain cover is securely locked in place before operating appliance.
15. Do not attempt to defeat the cover interlock mechanism.

SAVE THESE INSTRUCTIONS!

CONSUMER SAFETY INFORMATION

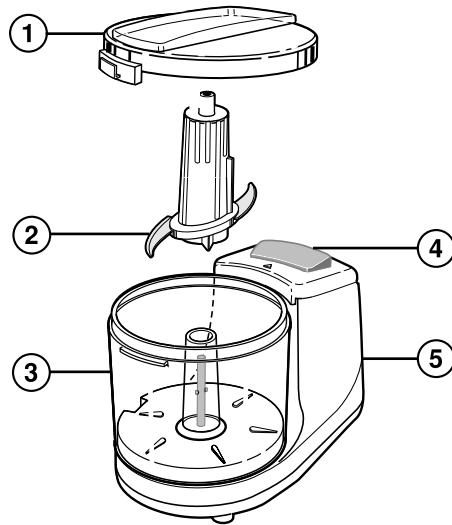
This appliance is intended for household use only.

This appliance is equipped with a polarized plug. This type of plug has one blade wider than the other. The plug will fit into an electrical outlet only one way. This is a safety feature intended to help reduce the risk of electrical shock. If you are unable to insert the plug into the outlet, try reversing the plug. If the plug should still fail to fit, contact a qualified electrician to replace the obsolete outlet. Do not attempt to defeat the safety purpose of the polarized plug by modifying the plug in any way.

The length of the cord used on this appliance was selected to reduce the hazards of becoming tangled in, or tripping over a longer cord. If a longer cord is necessary an approved extension cord may be used. The electrical rating of the extension cord must be equal to or greater than the rating of the food chopper. Care must be taken to arrange the extension cord so that it will not drape over the countertop or tabletop where it can be pulled on by children or accidentally tripped over.

Parts & Features

1. Cover
2. Blade
3. Bowl
4. On/Pulse Button
5. Base

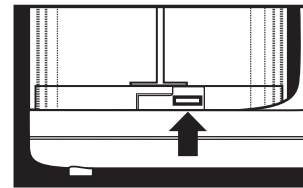


Before First Use: Wash cover, bowl, and blade in hot, soapy water. The blade is sharp; handle carefully. Rinse and dry.

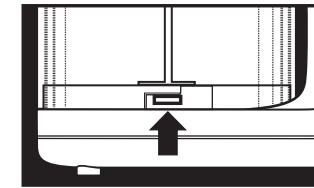
4

How to Use

1. Read "Chopping Tips."
2. Make sure chopper is unplugged. Lock bowl onto base by aligning tabs on bowl with slots in base. Turn clockwise. See the illustrations below.

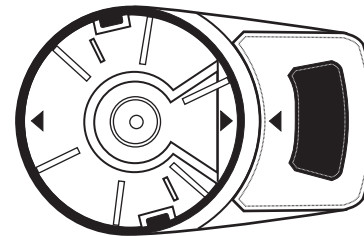


Align bowl on base



Turn to lock

3. Place blade in bowl over center shaft. Turn until blade slips down to bottom of bowl. Blade is sharp; handle carefully.
4. Place food in bowl.
5. Place cover on bowl and turn cover clockwise to lock, aligning arrows. See the illustration below.



6. Plug into electrical outlet. Press On/Pulse button to process. To turn off, release button. Do not remove cover until blade has stopped turning.

5

7. Remove cover. Unlock bowl by turning counterclockwise. Remove bowl from base. Carefully remove blade. Blade is sharp; handle carefully.

IF CHOPPER DOES NOT START: Review the steps in “How to Use” to make sure the bowl and cover are both in the locked positions.

Chopping Tips

- The bowl has a **capacity of 1½ cups**. For liquid ingredients, do not exceed $\frac{3}{4}$ cup.
- For more control, process by pressing the On/Pulse button briefly then releasing. Check consistency and continue if desired.
- Tear **bread** into pieces, then process to make bread crumbs. Break **crackers or cookies** into pieces, then process into crumbs for use as recipe ingredients or pie crusts.
- To chop carrots, celery, mushrooms, green pepper, or onion, **cut into 1 inch chunks** and place in bowl. This will result in more uniform consistency.
- Chop nuts; mince parsley, basil, chives, or garlic.
- Puree small amounts of **cooked fruit or vegetables** for baby food or use as a base for sauces or soups.
- **Do not** process raw meat, cheese, coffee beans, whole squares of baking chocolate, or whole, hard spices in the food chopper. This could damage the chopper.

How to Clean

1. Wash cover, bowl, and blade in hot, soapy water. Blade is sharp; handle carefully. Rinse and dry. The cover, bowl, and blade may also be washed in top rack of automatic dishwasher.
2. Reassemble for safe storage.
3. To clean the base, wipe with a damp cloth. Do not use abrasive cleaners. Do not immerse base in water.

Customer Service

If you have a question about your food chopper, call our toll-free customer service number. Before calling, please note the model, type, and series numbers and fill in that information below. These numbers can be found on the bottom of your food chopper. This information will help us answer your question much more quickly.

MODEL: _____ **TYPE:** _____ **SERIES:** _____

LIMITED WARRANTY

This product is warranted to be free from defects in material and workmanship for a period of one hundred eighty (180) days from the date of original purchase, except as noted below. During this period, we will repair or replace this product, at our option, at no cost. THE FOREGOING WARRANTY IS IN LIEU OF ANY OTHER WARRANTY, WHETHER EXPRESS OR IMPLIED, WRITTEN OR ORAL INCLUDING ANY WARRANTY OF MERCHANTABILITY OR FITNESS FOR A PARTICULAR PURPOSE. ANY LIABILITY IS EXPRESSLY LIMITED TO AN AMOUNT EQUAL TO THE PURCHASE PRICE PAID, AND ALL CLAIMS FOR SPECIAL, INCIDENTAL AND CONSEQUENTIAL DAMAGES ARE HEREBY EXCLUDED. There is no warranty with respect to the following, which may be supplied with this product: glass parts, glass containers, cutter/strainer, blades and/or agitators. This warranty extends only to the original consumer purchaser and does not cover a defect resulting from abuse, misuse, neglect, use for commercial purposes, or any use not in conformity with the printed directions. This warranty gives you specific legal rights, and you may also have other legal rights which vary from state to state, or province to province. Some states or provinces do not allow limitations on implied warranties or special, incidental or consequential damages, so the foregoing limitations may not apply to you.

If you have a claim under this warranty, DO NOT RETURN THE APPLIANCE TO THE STORE! Please call our CUSTOMER SERVICE NUMBER. (For faster service please have model, series, and type numbers ready for operator to assist you.)

CUSTOMER SERVICE NUMBERS

In the U.S. 1-800-851-8900

In Canada 1-800-267-2826

Web site address: www.proctorsilex.com

KEEP THESE NUMBERS FOR FUTURE REFERENCE!

HAMILTON BEACH  PROCTOR-SILEX, INC.
263 Yadkin Road, Southern Pines, NC 28387

PROCTOR-SILEX CANADA, INC.
Picton, Ontario K0K 2T0

840086800

Web site address: www.proctorsilex.com

5/01